

MTP Patchcord

Description:

The MTP patchcord provides quick connection specifically for multifiber cable, up to 24 fibers. The MTP connectors are designed for termination of ribbon fiber or loose individual fibers. Connection integrity is provided by the spring action side latch housing and alignment is achieved with high precision guide pins. The housing are colored-coded to differentiate single mode and multimode. Removable housing allow for quick change of pin clamps, ferrule cleaning or connector repolishing. Available MTP trunk cables or fan-out from MTP to single fibers connectors: LC, SC, etc.



Features:

- Multifiber cables termination
- Parallel optics transmission systems
- Single mode and Multimode applications
- Available angled and flat ferrule style
- Up to 24 fibers termination
- Push-on / Pull-off latching connector
- Easy connection and disconnection
- Trunk cable or fan-out to single fiber connectors
- Fiber protrusion
- Low Insertion loss & Reflection
- Simple & Low cost
- IEC61754-7, TIA/EIA 604-5

Application:

- Patchcords: Bare fiber ribbon type, ruggedized cable type or loose individual fibers cable
- Fan-out cord with single fiber connectors
- Parallel Optics transmission:
 - 40G and 100G IEEE 802.3
 - Optical Internetworking Forum (OIF) Compliant
 - QSFP, CXP, CFP, PSM4 standards

Specifications:

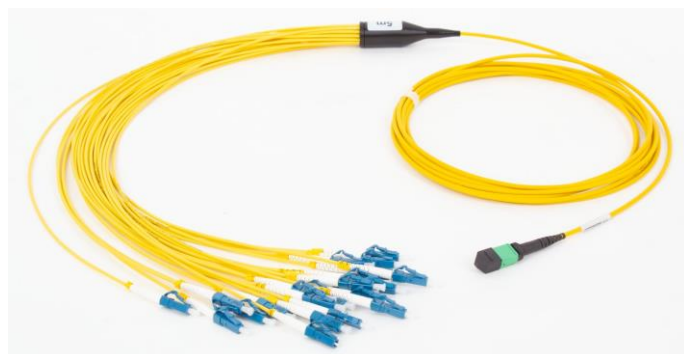
		Single mode (angled 8°)	Multimode (flat)
Insertion Loss (dB)	Standard	0.25 typ, 0.75 max	0.20 typ, 0.60 max
	Premium	0.10 typ, 0.35 max	0.10 typ, 0.35 max
Optical Return Loss (dB)		> 60	> 20
Operating Temperature ¹ (°C)		-10 to +60	
Durability		< 0.3 dB change (per EIA-455-21A) 500 remates	< 0.2 dB change (per EIA-455-21A) 1000 remates

Note: 1) relative to controlled environment, uncontrolled environment -40 to +80 °C on request

Connector colors:

SM Standard	green housing
SM Premium	mustard (yellow) housing
MM OM1/OM2	beige housing
MM OM3/OM4	aqua housing
MM Premium	aqua housing

Fan-out MTP to 24x single LC connectors



Ordering code:

AAA - XX/(XX⁶) XXX - XX - (XX)² - (L2)³-L

AAA	
Connector Type	Connector Description
NMTP XYZ	Angled
MTP XYZ	Flat
X – number of fibers (4, 8, 12, 16, 24)	
Y – Male (M) or Female (F)	
Z – Premium (P) or Standard (without mark)	

(XX) – jacket color; L, L2 - length [m]

XX – cable connection

JC, JC2	cable crossed
JS	cable straight
PT	pigtail

XX - type of fiber, cable

RF	ribbon fiber
RC	ribbon cable
CT	Central tube cable ⁵
(XX) Fan-out type	
09	Fiber 0.9 mm
16, 20, 24, 28	Cable 1.6-2.8 mm

XXX - type of fiber

OM1	MM 62.5/125 μm
OM2-OM4	MM 50/125 μm
S2D	SM 9/125 μm (G.652D)
S5X⁴	SM 9/125 μm (G.655X)
S7X⁴	SM 9/125 μm (G.657X)

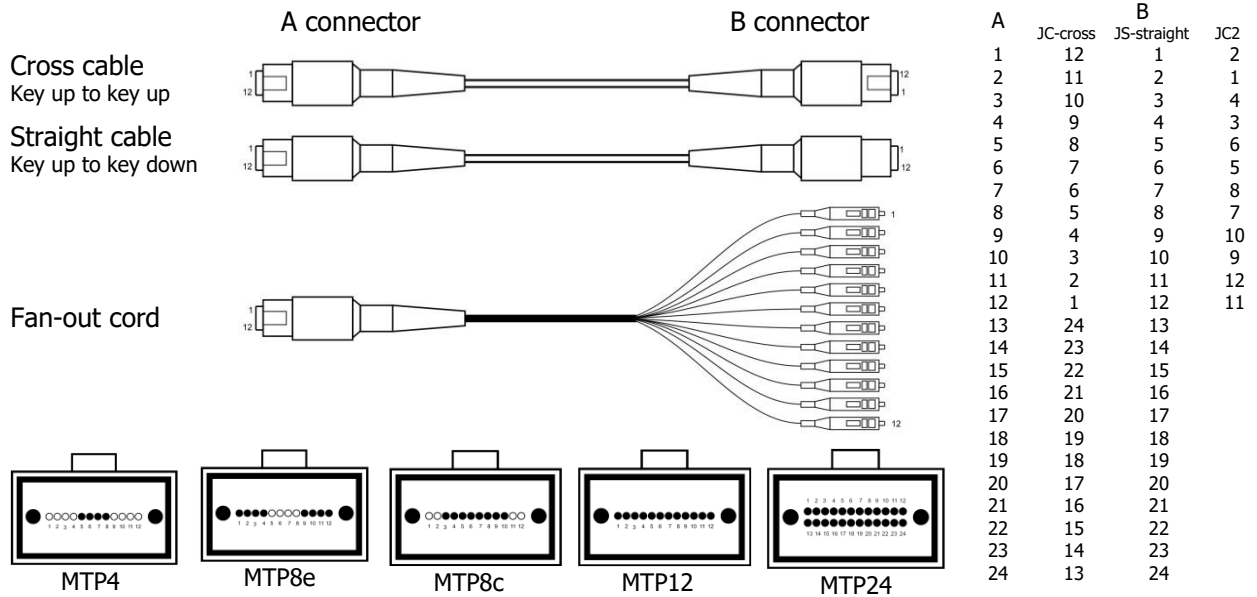
- Note: 2) define jacket color, if requested
3) L2 – fan-out length if defined
4) X – according fiber subtypes (e.g. G.657A1)
5) type: CT-12-S7A1-LSZH-YE for example
6) Fan-out fiber or cable type

Fan-out fiber color (13-24: black strip)

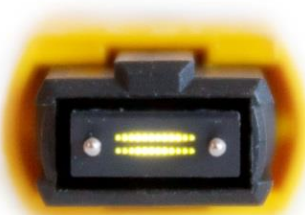
1/13	2/14	3/15	4/16	5/17	6/18	7/19	8/20	9/21	10/22	11/23	12/24
Blue	Orange	Green	Brown	Gray	White	Red	Black/ Transparent	Yellow	Purple	Pink	Aqua

Cable jacket color code: **YE** - yellow: SM
OG - orange: OM1, OM2
AQ - aqua: OM3
VI – violet: OM4

Fibers interconnection:



Sample:



NMTP12MP/FP-CTS7A1-JC-YE-010